

Blaze-Pro-100 Floodlight F&P BLK

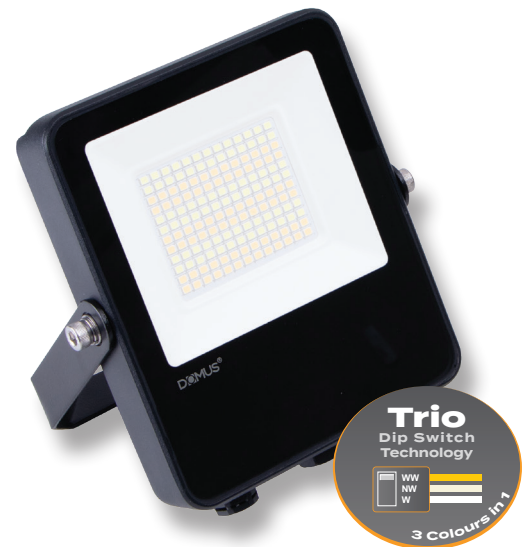


Description

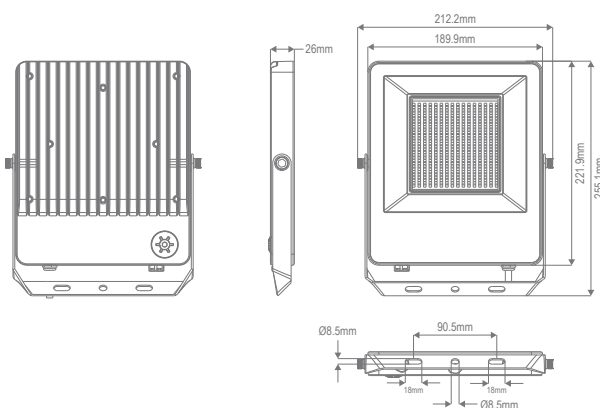
The BLAZE-PRO Series of LED Floodlights offer a sleek and stylish design, as well as an array of specialised features such as improved condensation prevention technology along with helping to reduce stock inventory. Featuring an aluminium fascia design with frosted glass lens to soften glare, IP66 rating and a unique anti-condensation breathing valve which stops unwanted condensation build-up behind the glass lens. The Multi-wattage selector switch offers the flexibility of selecting the right light output for the application within the same fitting. The tri-colour selector switch also offers the convenience of choosing between a 3000K Warm White, 4000K Neutral White or 5500K White colour temperature options. All models feature a Sensor Adaptor Interface to install the optional PIR Sensor (BLAZE-PRO-PIR). The optional sensor is a Plug-N-Play accessory that instantly converts the BLAZE-PRO floodlights into LED floodlights with sensor models. Complete with 1.5M flex and plug, as well as all angle installation bracket for ease of installation. Ideal for BBQ areas, outdoor entertaining areas, and backyard lighting. Backed by a 3 Year Replacement Warranty.

Specification Features

Input Voltage:	240V
Power:	50W/70W/100W
IP rating:	IP66
Lumens:	Warm White 3000K - 6040lm, 8100lm, 10750lm Neutral White 4000K - 6510lm, 8950lm, 12150lm White 5500K - 6450lm, 8590lm, 12150lm
LED type:	SMD
CCT:	3000K - 4000K - 5500K
Luminous Efficacy:	110lm/W
CRI:	≥70
Beam angle:	120°
Dimmable:	No
Lifespan:	20,000 hrs
Driver:	DOB (driver on board)
Surge Protection:	4.5KV
Sensor:	Built-in Sensor Adaptor Interface
Cable:	1.5M flex and plug Frosted Glass Anti-Condensation Breathing Valve



Diagrams / Additional



Item No.	Variant	CCT
BLAZE-PRO-100	19918	TRIO
BLAZE-PRO-PIR	19926	N/A
BLAZE-PRO-PECELL	19928	N/A
BLAZE-PRO-BKT	19923	N/A

PECELL Sensor Features (see Sensor Data Sheet)

Voltage and current:	5V DC, 10mA
Lux Level:	10Lux/20Lux/50Lux/100Lux
IP Rating:	IP65
Operating Temperature:	-30°C - 40°C
Installation height:	≤8M
Remote Control Distance:	0-8M

PIR Sensor Features (see Sensor Data Sheet)

Left/Right Adjustment:	90°
Up/Down Adjustment:	180°
Sensor Control:	ON/OFF
Time Delay Settings:	1, 3, 6 & 12Min
Sensitivity Settings:	25%, 50%, 75% & 100%
Sensitivity Distance:	2-8M
IP Rating:	IP65